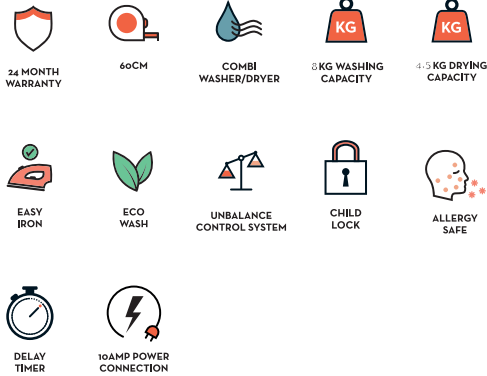


8KG FRONT-LOAD WASHER/DRYER

ARTUSI
THE ART OF LIVING

MODEL AWD845W



PRODUCT INFORMATION

FINISH

- white enamel exterior

FEATURES

- 15 programs
- allergy safe
- spin speed 1400 rpm (maximum)
- active jet system
- capacitive touch buttons
- ECO time feature
- load sensing
- detergent dosage
- DC motor
- ECO-Logic system
- washing cycle indicator
- time delay button
- LCD display
- time remaining indicator
- removable top cover
- cold water connection only

CAPACITY & INTERIOR

- 8kg washing | 4.5kg drying capacity
- stainless steel drum

SAFETY

- child safety lock
- foam protection
- unbalance control system
- overflow protection
- failure detection system

EXTRA FUNCTIONS

- 3 drying settings: cupboard, iron, hanger
- visual display for language, brightness, contrast and buzzer sound personal settings; option to reset to factory settings
- pre-wash, extra rinse, easy ironing
- 30, 60 or 90 minute drying
- washing temperature setting
- start and end time setting
- real-time clock setting
- spin speed setting

DISCLAIMER

Eurolinx PTY LTD, is continually seeking ways to improve the design specifications, aesthetics and production techniques of its products. As a result alterations to our products and designs take place continually. Whilst every effort is made to produce information and literature that is up to date, this brochure should not be regarded as an infallible guide to the current specifications, nor does it constitute an offer for the sale of any particular product. Product dimensions indicated in our literature is indicative only. Actual product only should be used to define dimension cut outs. Distributors, and retailers are not agents of Eurolinx and are not authorized to bind Eurolinx by any express or implied undertaking or representation.



EAN 9347777001726

AR16112021

FOLLOW US ON: [instagram.com/artusi_appliances](https://www.instagram.com/artusi_appliances)

www.linkedin.com/company/eurolinx-pty-ltd-t-a-llve/

Australia National Telephone Number 1300 (694 583) New Zealand Telephone Number 64 3 344 5913
Artusi showroom hours: Tuesday to Friday - 9am-5pm, Saturday - 10am-4pm, Sunday and Monday - closed
* Melbourne showroom hours: Tuesday to Saturday - 10am-4pm

[artusi.com.au](https://www.artusi.com.au)

NSW & ACT (Head Office)
48-50 Moore Street
Leichhardt
F 02 8569 4699

VIC & SA
1211 Toorak Road
Camberwell
F 03 9809 2155

QLD
1/42 Cavendish Road
Coorparoo
F 07 3397 0850

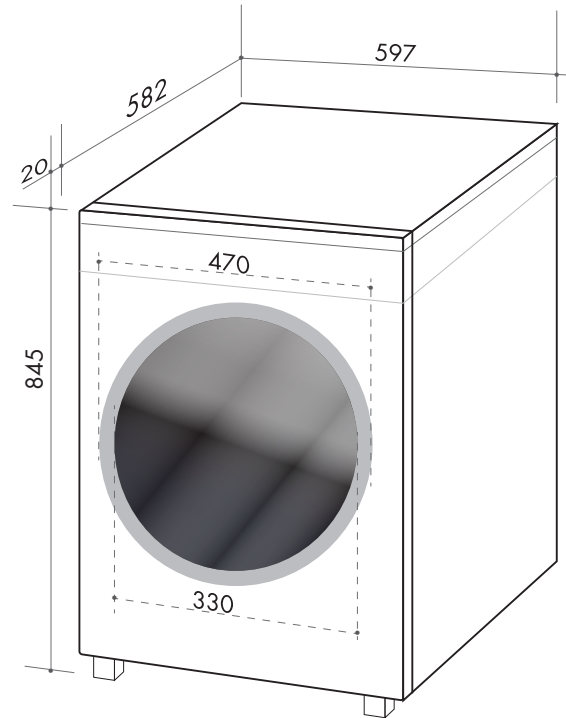
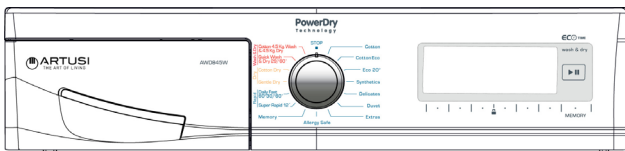
New Zealand
PO Box 11,160
Sockburn Christchurch
F 03 344 5906

8KG FRONT-LOAD WASHER/DRYER



MODEL AWD845W

TECHNICAL DIAGRAM



NB: drawings are not to scale — they are to be used for detailed installation instructions, please refer to user guide.

EAN 9347777001726

AR16112021

AWD845W 8kg front-load washer/dryer
597W x 582 (+20mm door) D x 845H
3-pin 10 amp plug

DISCLAIMER

Eurolinx PTY LTD, is continually seeking ways to improve the design specifications, aesthetics and production techniques of its products. As a result alterations to our products and designs take place continually. Whilst every effort is made to produce information and literature that is up to date, this brochure should not be regarded as an infallible guide to the current specifications, nor does it constitute an offer for the sale of any particular product. Product dimensions indicated in our literature is indicative only. Actual product only should be used to define dimension cut outs. Distributors, and retailers are not agents of Eurolinx and are not authorized to bind Eurolinx by any express or implied undertaking or representation.

FOLLOW US ON: [instagram.com/artusi_appliances](https://www.instagram.com/artusi_appliances)

www.linkedin.com/company/eurolinx-pty-ltd-t-a-lve/

Australia National Telephone Number 1300 (694 583) New Zealand Telephone Number 64 3 344 5913
Artusi showroom hours: Tuesday to Friday - 9am-5pm, Saturday - 10am-4pm, Sunday and Monday - closed
* Melbourne showroom hours: Tuesday to Saturday - 10am-4pm

[artusi.com.au](https://www.artusi.com.au)

NSW & ACT (Head Office)
48-50 Moore Street
Leichhardt
F 02 8569 4699

VIC & SA
1211 Toorak Road
Camberwell
F 03 9809 2155

QLD
1/42 Cavendish Road
Coorparoo
F 07 3397 0850

New Zealand
PO Box 11,160
Sockburn Christchurch
F 03 344 5906