

# GOOSENECK MIXER TAP WITH PULL OUT HOSE

MODEL ASM501 BN/ MB / BG

 **ARTUSI**  
THE ART OF LIVING



## PRODUCT INFORMATION

### AVAILABLE FINISHES

- brushed nickel (BN)
- matt black (MB)
- brushed gold (BG)

### FEATURES

- available in x 3 finish options to suit your kitchen design
- extendible hose
- water 'spray' function
- single lever control
- easy operation handle
- stylish round design
- operating temperature: 1°C - 70°C
- working pressure: 150-500kpa
- 35mm cartridge

### TECHNICAL INFORMATION

- 4-litres per minute
- Wels: 6 star



**ASM501BN EAN 9347777004178**

**ASM501MB EAN 9347777004161**

**ASM501BG EAN 9347777004185**



AR23112021

### DISCLAIMER

Eurolinx PTY LTD, is continually seeking ways to improve the design specifications, aesthetics and production techniques of its products. As a result alterations to our products and designs take place continually. Whilst every effort is made to produce information and literature that is up to date, this brochure should not be regarded as an infallible guide to the current specifications, nor does it constitute an offer for the sale of any particular product. Product dimensions indicated in our literature is indicative only. Actual product only should be used to define dimension cut outs. Distributors, and retailers are not agents of Eurolinx and are not authorized to bind Eurolinx by any express or implied undertaking or representation.

**FOLLOW US ON:**  [instagram.com/artusi\\_appliances](https://www.instagram.com/artusi_appliances)

 [www.linkedin.com/company/eurolinx-pty-ltd-t-a-llve/](https://www.linkedin.com/company/eurolinx-pty-ltd-t-a-llve/)

Australia National Telephone Number 1300 (694 583) New Zealand Telephone Number 64 3 344 5913  
Artusi showroom hours: Tuesday to Friday - 9am-5pm, Saturday - 10am-4pm, Sunday and Monday - closed  
\* Melbourne showroom hours: Tuesday to Saturday - 10am-4pm

[artusi.com.au](https://www.artusi.com.au)

**NSW & ACT (Head Office)**  
48-50 Moore Street  
Leichhardt  
F 02 8569 4699

**VIC & SA**  
1211 Toorak Road  
Camberwell  
F 03 9809 2155

**QLD**  
1/42 Cavendish Road  
Coorparoo  
F 07 3397 0850

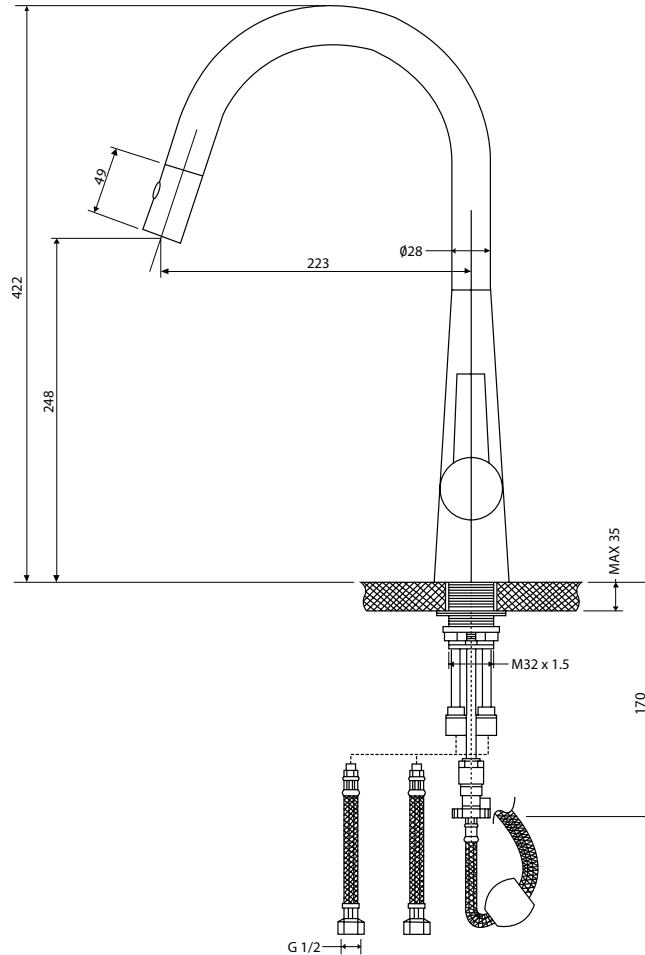
**New Zealand**  
PO Box 11,160  
Sockburn Christchurch  
F 03 344 5906

# GOOSENECK MIXER TAP WITH PULL OUT HOSE

MODEL ASM501 BN/ MB / BG

 **ARTUSI**  
THE ART OF LIVING

## TECHNICAL DIAGRAM



NB: drawings are not to scale — they are to be used for detailed installation instructions, please refer to user guide.

**ASM501BN EAN 9347777004178**

**ASM501MB EAN 9347777004161**

**ASM501BG EAN 9347777004185**

AR23112021

### DISCLAIMER

Eurolinx PTY LTD, is continually seeking ways to improve the design specifications, aesthetics and production techniques of its products. As a result alterations to our products and designs take place continually. Whilst every effort is made to produce information and literature that is up to date, this brochure should not be regarded as an infallible guide to the current specifications, nor does it constitute an offer for the sale of any particular product. Product dimensions indicated in our literature is indicative only. Actual product only should be used to define dimension cut outs. Distributors, and retailers are not agents of Eurolinx and are not authorized to bind Eurolinx by any express or implied undertaking or representation.

ASM501 Gooseneck mixer tap

**FOLLOW US ON:**  [instagram.com/artusi\\_appliances](https://www.instagram.com/artusi_appliances)

 [www.linkedin.com/company/eurolinx-pty-ltd-t-a-lve/](https://www.linkedin.com/company/eurolinx-pty-ltd-t-a-lve/)

Australia National Telephone Number 1300 (694 583) New Zealand Telephone Number 64 3 344 5913  
Artusi showroom hours: Tuesday to Friday - 9am-5pm, Saturday - 10am-4pm, Sunday and Monday - closed  
\* Melbourne showroom hours: Tuesday to Saturday - 10am-4pm

[artusi.com.au](https://www.artusi.com.au)

**NSW & ACT (Head Office)**  
48-50 Moore Street  
Leichhardt  
F 02 8569 4699

**VIC & SA**  
1211 Toorak Road  
Camberwell  
F 03 9809 2155

**QLD**  
1/42 Cavendish Road  
Coorparoo  
F 07 3397 0850

**New Zealand**  
PO Box 11,160  
Sockburn Christchurch  
F 03 344 5906