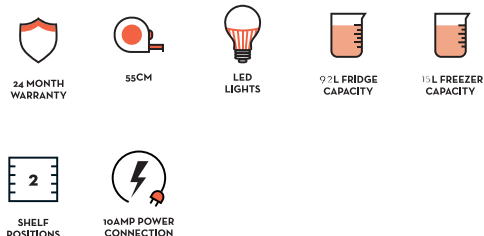


RETRO-STYLE UNDERBENCH REFRIGERATOR/FREEZER

MODEL ARET130W

ARTUSI
THE ART OF LIVING



PRODUCT INFORMATION

FINISH

- Bright white, white plastic interior

FEATURES

- freestanding/underbench
- mechanical controls
- LED lighting
- climate type: T, up to 43°C ambient
- refrigerant: R600a
- static cooling, no fan
- reversible door

CAPACITY & INTERIOR

- refrigerator capacity: 92L net
- freezer capacity: 15L net
- 1 x adjustable glass shelf & 1 x split glass shelf
- 1 x salad drawer
- 3 x wire retainers on door

TEMPERATURE

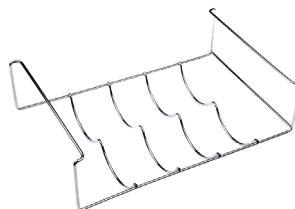
- temperature range —
 - fresh food: 0 – 10°C
 - frozen food: -26 – -15°C
- 0 - 7 temperature range

ACCESSORIES

- bottle rack
- 1 x ice tray

TECHNICAL

- energy rating: A+, MPES, DOE



EAN 9347777004963

AR12052022

DISCLAIMER

Eurolinx PTY LTD, is continually seeking ways to improve the design specifications, aesthetics and production techniques of its products. As a result alterations to our products and designs take place continually. Whilst every effort is made to produce information and literature that is up to date, this brochure should not be regarded as an infallible guide to the current specifications, nor does it constitute an offer for the sale of any particular product. Product dimensions indicated in our literature is indicative only. Actual product only should be used to define dimension cut outs. Distributors, and retailers are not agents of Eurolinx and are not authorized to bind Eurolinx by any express or implied undertaking or representation.

FOLLOW US ON:  [instagram.com/artusi_appliances](https://www.instagram.com/artusi_appliances)

 www.linkedin.com/company/eurolinx-pty-ltd-t-a-llve/

Australia National Telephone Number 1300 (694 583) New Zealand Telephone Number 64 3 344 5913
Artusi showroom hours: Tuesday to Friday - 9am-5pm, Saturday - 10am-4pm, Sunday and Monday - closed
* Melbourne showroom hours: Tuesday to Saturday - 10am-4pm

[artusi.com.au](https://www.artusi.com.au)

NSW & ACT (Head Office)
48-50 Moore Street
Leichhardt
F 02 8569 4699

QLD
1/42 Cavendish Road
Coorparoo
F 07 3397 0850

WA & NT
Unit 10/55 Howe Street
Osborne Park
F 08 9201 9188

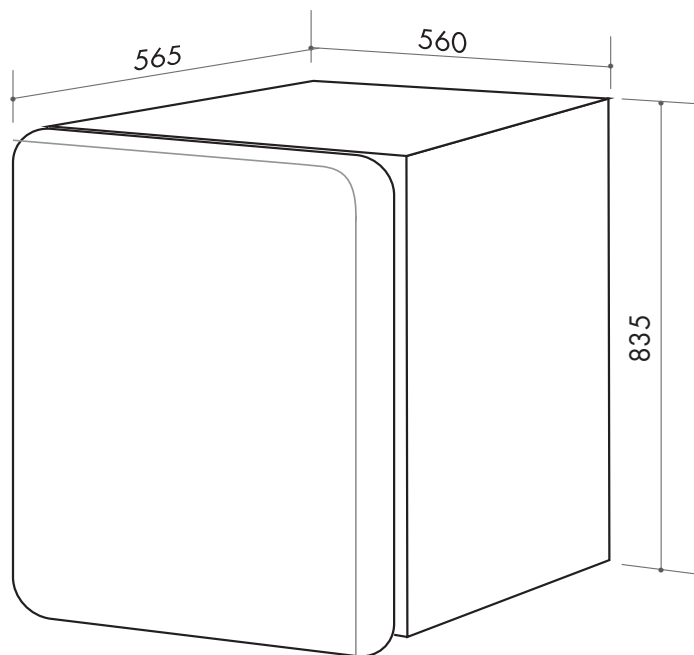
New Zealand
PO Box 11,160
Sockburn Christchurch
F 03 344 5906

RETRO-STYLE UNDERBENCH REFRIGERATOR/FREEZER

MODEL ARET130W

 **ARTUSI**
THE ART OF LIVING

TECHNICAL DIAGRAM



NB: drawings are not to scale — they are to be used for detailed installation instructions, please refer to user guide.

EAN 9347777004963

AR12052022

ARET130W retro-style underbench refrigerator/freezer
Size: 560W x 565D x 835H mm
10AMP, 1.2m power cord

DISCLAIMER

Eurolinx PTY LTD, is continually seeking ways to improve the design specifications, aesthetics and production techniques of its products. As a result alterations to our products and designs take place continually. Whilst every effort is made to produce information and literature that is up to date, this brochure should not be regarded as an infallible guide to the current specifications, nor does it constitute an offer for the sale of any particular product. Product dimensions indicated in our literature is indicative only. Actual product only should be used to define dimension cut outs. Distributors, and retailers are not agents of Eurolinx and are not authorized to bind Eurolinx by any express or implied undertaking or representation.

FOLLOW US ON:  [instagram.com/artusi_appliances](https://www.instagram.com/artusi_appliances)

 www.linkedin.com/company/eurolinx-pty-ltd-t-a-lve/

Australia National Telephone Number 1300 (694 583) New Zealand Telephone Number 64 3 344 5913
Artusi showroom hours: Tuesday to Friday - 9am-5pm, Saturday - 10am-4pm, Sunday and Monday - closed
* Melbourne showroom hours: Tuesday to Saturday - 10am-4pm

[artusi.com.au](https://www.artusi.com.au)

NSW & ACT (Head Office)
48-50 Moore Street
Leichhardt
F 02 8569 4699

QLD
1/42 Cavendish Road
Coorparoo
F 07 3397 0850

WA & NT
Unit 10/55 Howe Street
Osborne Park
F 08 9201 9188

New Zealand
PO Box 11,160
Sockburn Christchurch
F 03 344 5906