

# 60CM SIDE OPENING BUILT-IN ELECTRIC OVEN

MODEL AOS652B

**ARTUSI**  
THE ART OF LIVING



MADE  
IN ITALY



24 MONTH  
WARRANTY



60CM



65L OVEN  
CAPACITY



COOKING  
FUNCTIONS



5  
SHELF  
POSITIONS



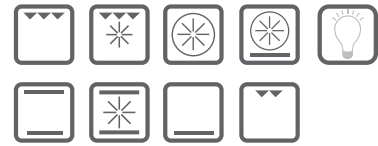
TRIPLE  
GLAZING



BELL  
TIMER



15AMP POWER  
CONNECTION



## PRODUCT INFORMATION

### FINISH

- Black glass
- Stainless steel knobs & handle

### FEATURES

- knob control
- digital timer with touch controls
- thermostat 0–250°C
- side-opening reversible door
- flat, easy-clean inner glass door
- tangential fan ventilation
- cavity light

### CAPACITY & INTERIOR

- 65 litres
- 5 cooking levels
- oven cavity size: 46.5W x 41.5.D x 35H cm
- EVER-Clean enamel interior

### SAFETY

- triple glazed glass door
- side opening door
- telescopic oven racks

### FUNCTIONS

- 9 functions —light, top and bottom element, fan assisted, base element, half grill, grill, fan grill, fan forced, pizza

### ACCESSORIES

- 2 x baking trays
- 1 x grill tray insert
- 1 x oven rack



- NOW Standard with easy slide telescopic racks



EAN 9347777004222

AR29102021

### DISCLAIMER

Eurolinx PTY LTD, is continually seeking ways to improve the design specifications, aesthetics and production techniques of its products. As a result alterations to our products and designs take place continually. Whilst every effort is made to produce information and literature that is up to date, this brochure should not be regarded as an infallible guide to the current specifications, nor does it constitute an offer for the sale of any particular product. Product dimensions indicated in our literature is indicative only. Actual product only should be used to define dimension cut outs. Distributors, and retailers are not agents of Eurolinx and are not authorized to bind Eurolinx by any express or implied undertaking or representation.

**FOLLOW US ON:**  [instagram.com/artusi\\_appliances](https://www.instagram.com/artusi_appliances)

 [www.linkedin.com/company/eurolinx-pty-ltd-t-a-llve/](https://www.linkedin.com/company/eurolinx-pty-ltd-t-a-llve/)

Australia National Telephone Number 1300 (694 583) New Zealand Telephone Number 64 3 344 5913  
Artusi showroom hours: Tuesday to Friday - 9am-5pm, Saturday - 10am-4pm, Sunday and Monday - closed  
\* Melbourne showroom hours: Tuesday to Saturday - 10am-4pm

[artusi.com.au](https://www.artusi.com.au)

**NSW & ACT (Head Office)**  
48-50 Moore Street  
Leichhardt  
F 02 8569 4699

**QLD**  
1/42 Cavendish Road  
Coorparoo  
F 07 3397 0850

**WA & NT**  
Unit 10/55 Howe Street  
Osborne Park  
F 08 9201 9188

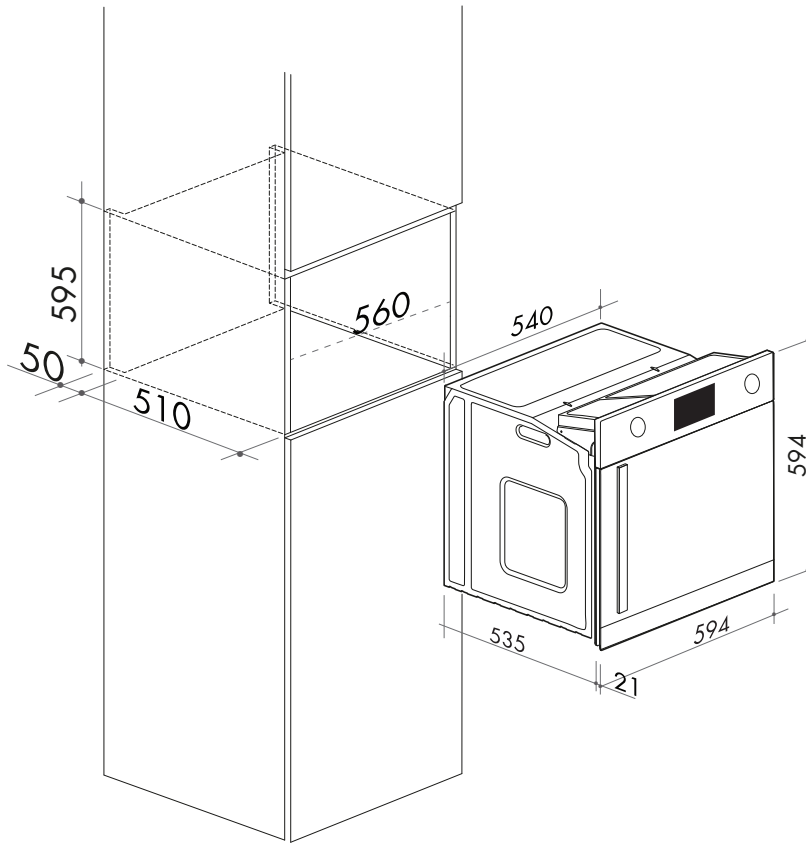
**New Zealand**  
PO Box 11,160  
Sockburn Christchurch  
F 03 344 5906

# 60CM SIDE OPENING BUILT-IN ELECTRIC OVEN

**MODEL** AOS652B

**ARTUSI**  
THE ART OF LIVING

## TECHNICAL DIAGRAM



NB: drawings are not to scale — they are to be used for detailed installation instructions, please refer to user guide.

**EAN 9347777004222**

AR29102021

### DISCLAIMER

Eurolinx PTY LTD, is continually seeking ways to improve the design specifications, aesthetics and production techniques of its products. As a result alterations to our products and designs take place continually. Whilst every effort is made to produce information and literature that is up to date, this brochure should not be regarded as an infallible guide to the current specifications, nor does it constitute an offer for the sale of any particular product. Product dimensions indicated in our literature is indicative only. Actual product only should be used to define dimension cut outs. Distributors, and retailers are not agents of Eurolinx and are not authorized to bind Eurolinx by any express or implied undertaking or representation.

AOS652B 60cm built-in electric oven, side opening  
3.5kW/hr total electrical consumption  
80cm power cord  
15 AMP electrical connection, hard wired

**FOLLOW US ON:**  [instagram.com/artusi\\_appliances](https://www.instagram.com/artusi_appliances)

 [www.linkedin.com/company/eurolinx-pty-ltd-t-a-llve/](https://www.linkedin.com/company/eurolinx-pty-ltd-t-a-llve/)

Australia National Telephone Number 1300 (694 583) New Zealand Telephone Number 64 3 344 5913  
Artusi showroom hours: Tuesday to Friday - 9am-5pm, Saturday - 10am-4pm, Sunday and Monday - closed  
\* Melbourne showroom hours: Tuesday to Saturday - 10am-4pm

[artusi.com.au](https://www.artusi.com.au)

**NSW & ACT (Head Office)**  
48-50 Moore Street  
Leichhardt  
F 02 8569 4699

**QLD**  
1/42 Cavendish Road  
Coorparoo  
F 07 3397 0850

**WA & NT**  
Unit 10/55 Howe Street  
Osborne Park  
F 08 9201 9188

**New Zealand**  
PO Box 11.160  
Sockburn Christchurch  
F 03 344 5906