

# GRANITEK SINGLE-BOWL SINK WITH DRAINER

MODEL AGS1001 B/W

**ARTUSI**  
THE ART OF LIVING



AGS1001B



AGS1001W



MADE IN ITALY



30 YEAR WARRANTY



FLUSHMOUNT

## OUR REVOLUTIONARY TECHNOLOGY

Our manufacturing process uses a moulding technology system, meaning Artusi Granitek sinks consist of a substantial and even distribution of its components including within the sink mass. This technology is internationally patented.

Granitek is the name given to our process of bonding granite and acrylic resin. This process results in the highest-quality finish, as it gives greater protection against high temperatures, cracks and chips, and is more resistant to heavy impacts.

CERAMISATION is a method of colouring the granite particles by penetrating the whole mass, through a firing process of heating the material to over 700°C. This ensures the colour can penetrate deeply, reaching particles' core. The result is a significant improvement to resistance against discolouration.

### AVAILABLE ACCESSORIES:

ATL11600 - Wooden Chopping Block



## PRODUCT INFORMATION

### FINISH

- White (W) or Black (B) Granitek

### FEATURES

- Inset
- Resistance to high temperatures
- Resistance to impacts
- Modern, streamlined appearance
- Easy to clean
- Resistance to surface scratches
- Sink Kit: Space saving siphon, waste and pre-mounted hooks

### TECHNICAL INFORMATION

- 1000 x 510mm
- built-in: 980 x 480mm



EAN AGS1001B: 9347777001481

EAN AGS1001W: 9347777001498

AR18082021

## DISCLAIMER

Eurolinx PTY LTD, is continually seeking ways to improve the design specifications, aesthetics and production techniques of its products. As a result alterations to our products and designs take place continually. Whilst every effort is made to produce information and literature that is up to date, this brochure should not be regarded as an infallible guide to the current specifications, nor does it constitute an offer for the sale of any particular product. Product dimensions indicated in our literature is indicative only. Actual product only should be used to define dimension cut outs. Distributors, and retailers are not agents of Eurolinx and are not authorized to bind Eurolinx by any express or implied undertaking or representation.

**FOLLOW US ON:** [instagram.com/artusi\\_appliances](https://www.instagram.com/artusi_appliances)

[www.linkedin.com/company/eurolinx-pty-ltd-t-a-lve/](https://www.linkedin.com/company/eurolinx-pty-ltd-t-a-lve/)

Australia National Telephone Number 1300 (694 583) New Zealand Telephone Number 64 3 344 5913  
Artusi showroom hours: Tuesday to Friday - 9am-5pm, Saturday - 10am-4pm, Sunday and Monday - closed  
\* Melbourne showroom hours: Tuesday to Saturday - 10am-4pm

[artusi.com.au](https://www.artusi.com.au)

**NSW & ACT (Head Office)**  
48-50 Moore Street  
Leichhardt  
F 02 8569 4699

**VIC & SA**  
1211 Toorak Road  
Camberwell  
F 03 9809 2155

**QLD**  
1/42 Cavendish Road  
Coorparoo  
F 07 3397 0850

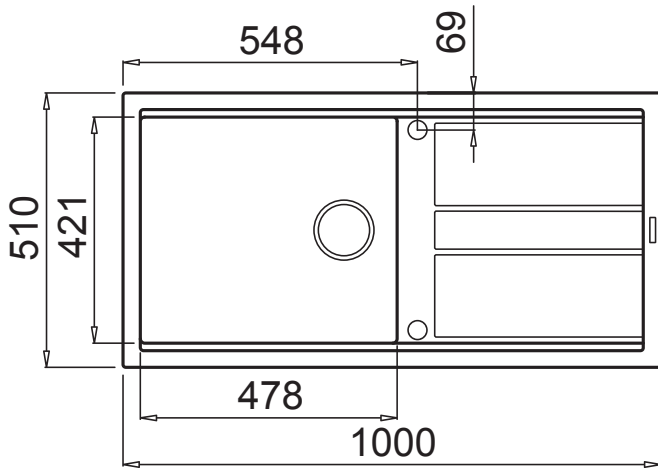
**New Zealand**  
PO Box 11,160  
Sockburn Christchurch  
F 03 344 5906

# GRANITEK SINGLE-BOWL SINK WITH DRAINER

MODEL AGS1001 B/W

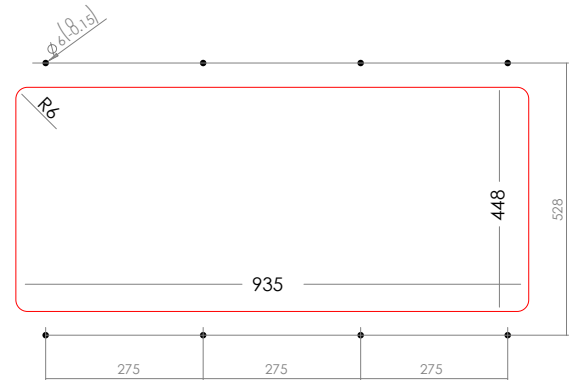
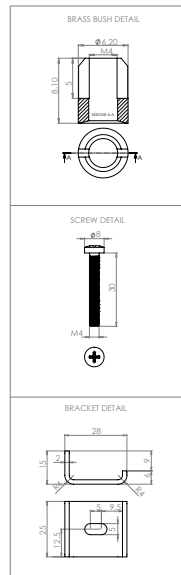


## TECHNICAL DIAGRAM



### Features

- 1000x510** Dimensions (mm)
- 980x480** Built-in hole (mm)
- 600** Base
- Inset**
- Anti-bacterial surface**
- Reversible**
- Rectangular overflow**
- 200** Bowl depth (mm)



Technical data sheet Best480 Under Mount

NB: drawings are not to scale — they are to be used for detailed installation instructions, please refer to user guide.

**EAN AGS1001B: 9347777001481**

**EAN AGS1001W: 9347777001498**

AR18082021

### DISCLAIMER

Eurolinx PTY LTD, is continually seeking ways to improve the design specifications, aesthetics and production techniques of its products. As a result alterations to our products and designs take place continually. Whilst every effort is made to produce information and literature that is up to date, this brochure should not be regarded as an infallible guide to the current specifications, nor does it constitute an offer for the sale of any particular product. Product dimensions indicated in our literature is indicative only. Actual product only should be used to define dimension cut outs. Distributors, and retailers are not agents of Eurolinx and are not authorized to bind Eurolinx by any express or implied undertaking or representation.

AGS1001 Single-bowl sink with drainer | INSET  
BLACK or WHITE GRANITEK

**FOLLOW US ON:** [instagram.com/artusi\\_appliances](https://www.instagram.com/artusi_appliances)

[www.linkedin.com/company/eurolinx-pty-ltd-t-a-llve/](https://www.linkedin.com/company/eurolinx-pty-ltd-t-a-llve/)

Australia National Telephone Number 1300 (694 583) New Zealand Telephone Number 64 3 344 5913  
Artusi showroom hours: Tuesday to Friday - 9am-5pm, Saturday - 10am-4pm, Sunday and Monday - closed  
\* Melbourne showroom hours: Tuesday to Saturday - 10am-4pm

[artusi.com.au](https://www.artusi.com.au)

**NSW & ACT (Head Office)**  
48-50 Moore Street  
Leichhardt  
F 02 8569 4699

**VIC & SA**  
1211 Toorak Road  
Camberwell  
F 03 9809 2155

**QLD**  
1/42 Cavendish Road  
Coorparoo  
F 07 3397 0850

**New Zealand**  
PO Box 11,160  
Sockburn Christchurch  
F 03 344 5906