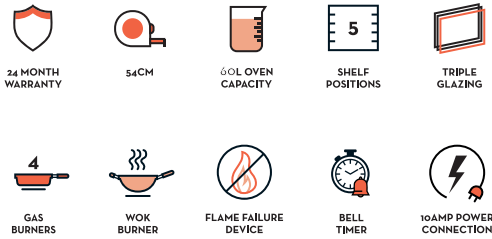


# 54CM GAS FREESTANDING COOKER



MODEL AFGG54W



## PRODUCT INFORMATION

### OVEN FEATURES

- brilliant white
- single gas oven
- storage drawer
- mechanical cooking timer
- oven temperature range 150–265°C (8 temperature options)
- integrated ignition
- cooling fan
- oven light
- easy to clean full glass inner door
- removable oven cavity floor

### SAFETY

- triple-glazed glass door

### CAPACITY & INTERIOR

- gas oven capacity: 60 litres (3.0kw/H burner)
- 5 cooking levels
- active enamel interior

### ACCESSORIES

- baking tray + 2 x wire oven racks
- collection tray
- wire oven racks
- grill rack

### COOKTOP FEATURES

- single-piece 4 gas burner pressed hob
- enamel trivets and burner caps

### BURNERS

- 4 gas burners:
  - 1 x WOK burner: 3.5 kW/hr
  - 2 x semi-rapid: 1.75 kW/hr
  - 1 x auxiliary: 1.0 kW/hr

### SAFETY

- flame failure device fitted to each burner
- automatic electronic ignition



Oven Gas Burner



EAN 9347777002259

AR29032022

### DISCLAIMER

Eurolinx PTY LTD, is continually seeking ways to improve the design specifications, aesthetics and production techniques of its products. As a result alterations to our products and designs take place continually. Whilst every effort is made to produce information and literature that is up to date, this brochure should not be regarded as an infallible guide to the current specifications, nor does it constitute an offer for the sale of any particular product. Product dimensions indicated in our literature is indicative only. Actual product only should be used to define dimension cut outs. Distributors, and retailers are not agents of Eurolinx and are not authorized to bind Eurolinx by any express or implied undertaking or representation.

FOLLOW US ON: [instagram.com/artusi\\_appliances](https://www.instagram.com/artusi_appliances)

[www.linkedin.com/company/eurolinx-pty-ltd-t-a-llve/](https://www.linkedin.com/company/eurolinx-pty-ltd-t-a-llve/)

Australia National Telephone Number 1300 (694 583) New Zealand Telephone Number 64 3 344 5913  
Artusi showroom hours: Tuesday to Friday - 9am-5pm, Saturday - 10am-4pm, Sunday and Monday - closed  
\* Melbourne showroom hours: Tuesday to Saturday - 10am-4pm

[artusi.com.au](https://www.artusi.com.au)

NSW & ACT (Head Office)  
48-50 Moore Street  
Leichhardt  
F 02 8569 4699

QLD  
1/42 Cavendish Road  
Coorparoo  
F 07 3397 0850

WA & NT  
Unit 10/55 Howe Street  
Osborne Park  
F 08 9201 9188

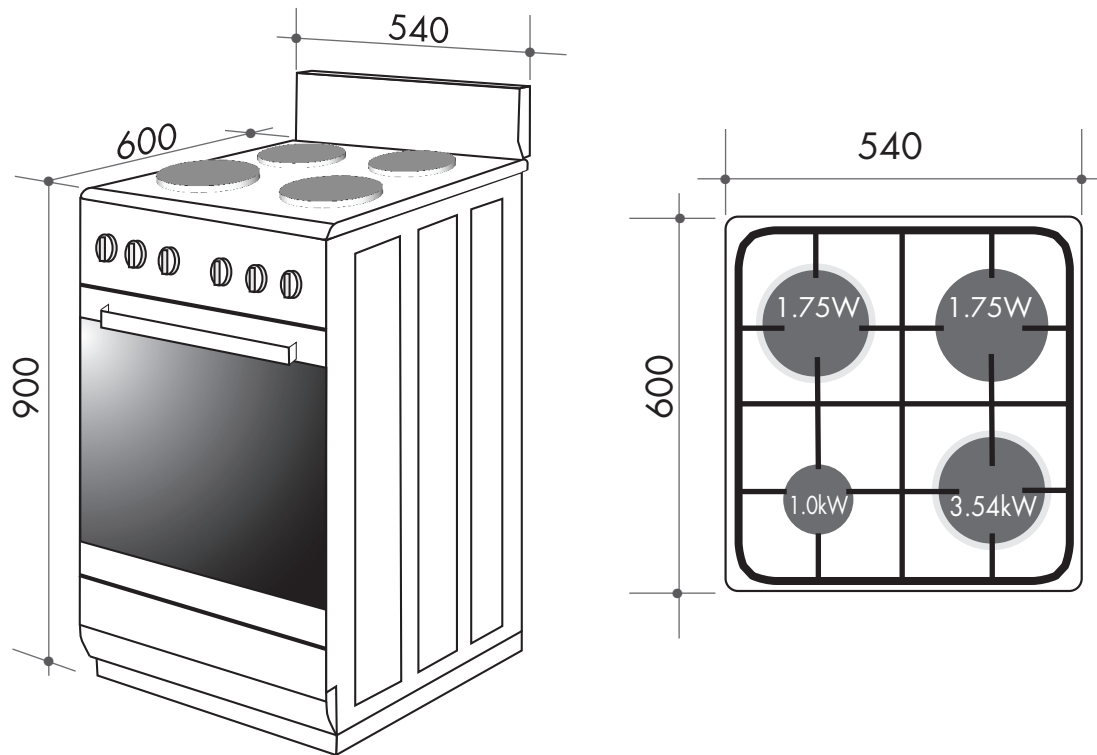
New Zealand  
PO Box 11,160  
Sockburn Christchurch  
F 03 344 5906

# 54CM GAS FREESTANDING COOKER



**MODEL** AFGG54W

## TECHNICAL DIAGRAM



NB: drawings are not to scale — they are to be used for detailed installation instructions, please refer to user guide.

**EAN 9347777002259**

AR29032022

### DISCLAIMER

Eurolinx PTY LTD, is continually seeking ways to improve the design specifications, aesthetics and production techniques of its products. As a result alterations to our products and designs take place continually. Whilst every effort is made to produce information and literature that is up to date, this brochure should not be regarded as an infallible guide to the current specifications, nor does it constitute an offer for the sale of any particular product. Product dimensions indicated in our literature is indicative only. Actual product only should be used to define dimension cut outs. Distributors, and retailers are not agents of Eurolinx and are not authorized to bind Eurolinx by any express or implied undertaking or representation.

AFGG54W Freestanding Cooker

Power Consumption: 2kW/h

Gas Consumption: 39.6 mj/h (natural gas)

Electrical Connection: 10 AMP GPO plug

1.5m plug and lead supplied

**FOLLOW US ON:**  [instagram.com/artusi\\_appliances](https://www.instagram.com/artusi_appliances)

 [www.linkedin.com/company/eurolinx-pty-ltd-t-a-lve/](https://www.linkedin.com/company/eurolinx-pty-ltd-t-a-lve/)

Australia National Telephone Number 1300 (694 583) New Zealand Telephone Number 64 3 344 5913  
Artusi showroom hours: Tuesday to Friday - 9am-5pm, Saturday - 10am-4pm, Sunday and Monday - closed  
\* Melbourne showroom hours: Tuesday to Saturday - 10am-4pm

[artusi.com.au](https://www.artusi.com.au)

**NSW & ACT (Head Office)**  
48-50 Moore Street  
Leichhardt  
F 02 8569 4699

**QLD**  
1/42 Cavendish Road  
Coorparoo  
F 07 3397 0850

**WA & NT**  
Unit 10/55 Howe Street  
Osborne Park  
F 08 9201 9188

**New Zealand**  
PO Box 11.160  
Sockburn Christchurch  
F 03 344 5906