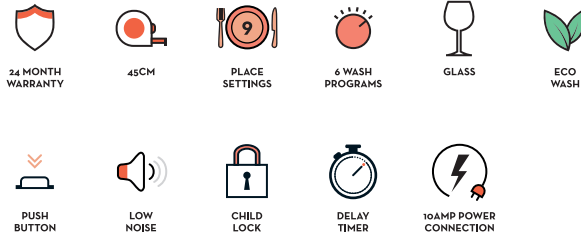


# 45CM FREESTANDING DISHWASHER

**ARTUSI**  
THE ART OF LIVING

**MODEL** ADW4501X



## PRODUCT INFORMATION

### CAPACITY

- 9 place setting

### FEATURES

- Pull out height adjustable upper basket
- concealed heat element
- 3-in-1 tablet option
- natural drying system (for rapid wash)
- extra dry function
- delay start 3/6/9 hours
- lower spray arm
- cutlery basket
- wine stem support
- rinse aid dispenser
- electronic control panel
- push button control
- Panel indicators - On/Off, Extra drying, Program, Low Rinse Aid, Delay start, Child lock, Cycle finished
- 49 dBA

### PROGRAMS

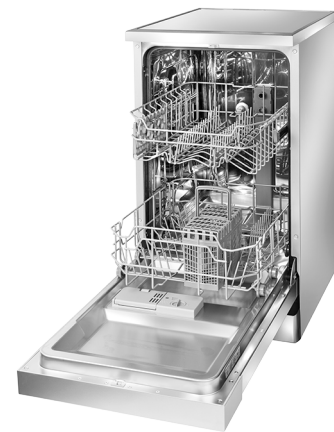
- 6 wash programs – intensive, heavy, ECO, glass, 90 minute, rapid
- half wash option
- Program, Start/Pause, Delay start, Child lock

### SAFETY

- child lock

### TECHNICAL INFORMATION

- cold water connection
- 1800mm inlet & 1500mm outlet hose



**EAN 9347777003799**

AR23042021

### DISCLAIMER

Eurolinx PTY LTD, is continually seeking ways to improve the design specifications, aesthetics and production techniques of its products. As a result alterations to our products and designs take place continually. Whilst every effort is made to produce information and literature that is up to date, this brochure should not be regarded as an infallible guide to the current specifications, nor does it constitute an offer for the sale of any particular product. Product dimensions indicated in our literature is indicative only. Actual product only should be used to define dimension cut outs. Distributors, and retailers are not agents of Eurolinx and are not authorized to bind Eurolinx by any express or implied undertaking or representation.

**FOLLOW US ON:** [instagram.com/artusi\\_appliances](https://www.instagram.com/artusi_appliances)

[www.linkedin.com/company/eurolinx-pty-ltd-t-a-llve/](https://www.linkedin.com/company/eurolinx-pty-ltd-t-a-llve/)

Australia National Telephone Number 1300 (694 583) New Zealand Telephone Number 64 3 344 5913  
Artusi showroom hours: Tuesday to Friday - 9am-5pm, Saturday - 10am-4pm, Sunday and Monday - closed  
\* Melbourne showroom hours: Tuesday to Saturday - 10am-4pm

[artusi.com.au](https://www.artusi.com.au)

**NSW & ACT (Head Office)**  
48-50 Moore Street  
Leichhardt  
F 02 8569 4699

**QLD**  
1/42 Cavendish Road  
Coorparoo  
F 07 3397 0850

**WA & NT**  
Unit 10/55 Howe Street  
Osborne Park  
F 08 9201 9188

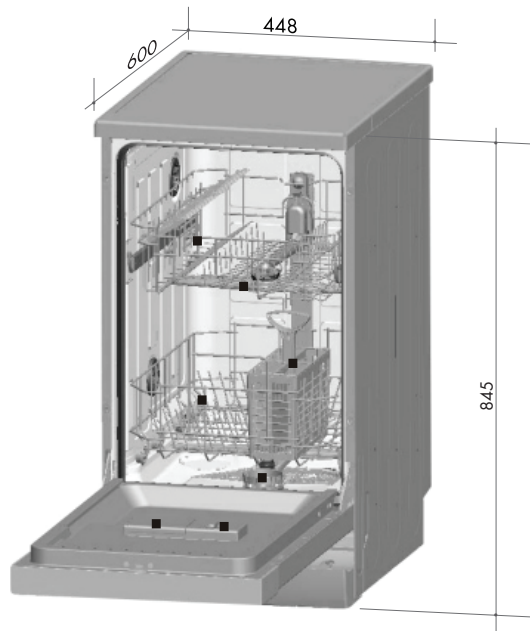
**New Zealand**  
PO Box 11.160  
Sockburn Christchurch  
F 03 344 5906

# 45CM FREESTANDING DISHWASHER

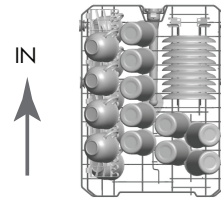


**MODEL** ADW4501X

## TECHNICAL DIAGRAM

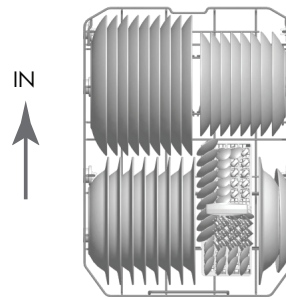


### UPPER LOADING



The upper basket is designed to hold more delicate and lighter dishware such as glasses, coffee and tea cups and saucers, as well as small plates and bowls and shallow pans (provided they are not too soiled).

### LOWER LOADING



We recommend that you place large items that are most difficult to clean into the lower basket (pots, pans, lids, serving dishes and bowls). It is preferable to place serving dishes and lids on the side of the baskets in order to avoid blocking the rotation of the top spray arm. Pots, serving bowls etc must always be placed top down. The bottom basket features fold-down fine rows so that larger pots and pans can be loaded. Deep pots should be lanted to allow water to flow out.

NB: drawings are not to scale — they are to be used for detailed installation instructions, please refer to user guide.

**EAN 9347777003799**

AR23042021

### DISCLAIMER

Eurolinx PTY LTD, is continually seeking ways to improve the design specifications, aesthetics and production techniques of its products. As a result alterations to our products and designs take place continually. Whilst every effort is made to produce information and literature that is up to date, this brochure should not be regarded as an infallible guide to the current specifications, nor does it constitute an offer for the sale of any particular product. Product dimensions indicated in our literature is indicative only. Actual product only should be used to define dimension cut outs. Distributors, and retailers are not agents of Eurolinx and are not authorized to bind Eurolinx by any express or implied undertaking or representation.

ADW4501X 45cm-wide freestanding dishwasher

Size mm 448W x 600D x 845H

(1150D with door fully open)

10 amp, 3-pin plug

**FOLLOW US ON:** [instagram.com/artusi\\_appliances](https://www.instagram.com/artusi_appliances)

[www.linkedin.com/company/eurolinx-pty-ltd-t-a-llve/](https://www.linkedin.com/company/eurolinx-pty-ltd-t-a-llve/)

Australia National Telephone Number 1300 (694 583) New Zealand Telephone Number 64 3 344 5913  
Artusi showroom hours: Tuesday to Friday - 9am-5pm, Saturday - 10am-4pm, Sunday and Monday - closed  
\* Melbourne showroom hours: Tuesday to Saturday - 10am-4pm

[artusi.com.au](https://www.artusi.com.au)

**NSW & ACT (Head Office)**  
48-50 Moore Street  
Leichhardt  
F 02 8569 4699

**QLD**  
1/42 Cavendish Road  
Coorparoo  
F 07 3397 0850

**WA & NT**  
Unit 10/55 Howe Street  
Osborne Park  
F 08 9201 9188

**New Zealand**  
PO Box 11.160  
Sockburn Christchurch  
F 03 344 5906