

# 60CM BUILT-IN COMBI-MICROWAVE



MODEL ACM45X



MADE IN ITALY



24 MONTH WARRANTY



60CM



34L OVEN CAPACITY



COOKING FUNCTIONS



SHELF POSITIONS



DOUBLE GLAZING



DEFROST MODE



CHILD LOCK



BELL TIMER

## PRODUCT INFORMATION

### FINISH

- stainless steel

### FEATURES

- microwave mode (6 levels) combined
- control panel with touch controls
- internal lighting
- door contact switch
- control panel safety function
- tangential cooling ventilation
- touch-control programmable oven timer

### CAPACITY & INTERIOR

- internal capacity 34 litres
- 3 cooking levels
- Cavity size: 42W x 38.5D x 21H cm

### SAFETY

- door with safety lock

### FUNCTIONS

- 10 combined functions
- automatic cooking
- pre-selected and customisable recipes (weight, temperature, cooking time)
- microwave and fan assisted mode
- combined cooking mode
- microwave and grill mode
- defrosting by time and weight

## ACCESSORIES

- 1 stainless steel tray with grill support
- 1 glass turntable



EAN 9347777001825

AR18032022

## DISCLAIMER

Eurolinx PTY LTD, is continually seeking ways to improve the design specifications, aesthetics and production techniques of its products. As a result alterations to our products and designs take place continually. Whilst every effort is made to produce information and literature that is up to date, this brochure should not be regarded as an infallible guide to the current specifications, nor does it constitute an offer for the sale of any particular product. Product dimensions indicated in our literature is indicative only. Actual product only should be used to define dimension cut outs. Distributors, and retailers are not agents of Eurolinx and are not authorized to bind Eurolinx by any express or implied undertaking or representation.

FOLLOW US ON: [instagram.com/artusi\\_appliances](https://www.instagram.com/artusi_appliances)

[www.linkedin.com/company/eurolinx-pty-ltd-t-a-llve/](https://www.linkedin.com/company/eurolinx-pty-ltd-t-a-llve/)

Australia National Telephone Number 1300 (694 583) New Zealand Telephone Number 64 3 344 5913  
Artusi showroom hours: Tuesday to Friday - 9am-5pm, Saturday - 10am-4pm, Sunday and Monday - closed  
\* Melbourne showroom hours: Tuesday to Saturday - 10am-4pm

[artusi.com.au](https://www.artusi.com.au)

NSW & ACT (Head Office)  
48-50 Moore Street  
Leichhardt  
F 02 8569 4699

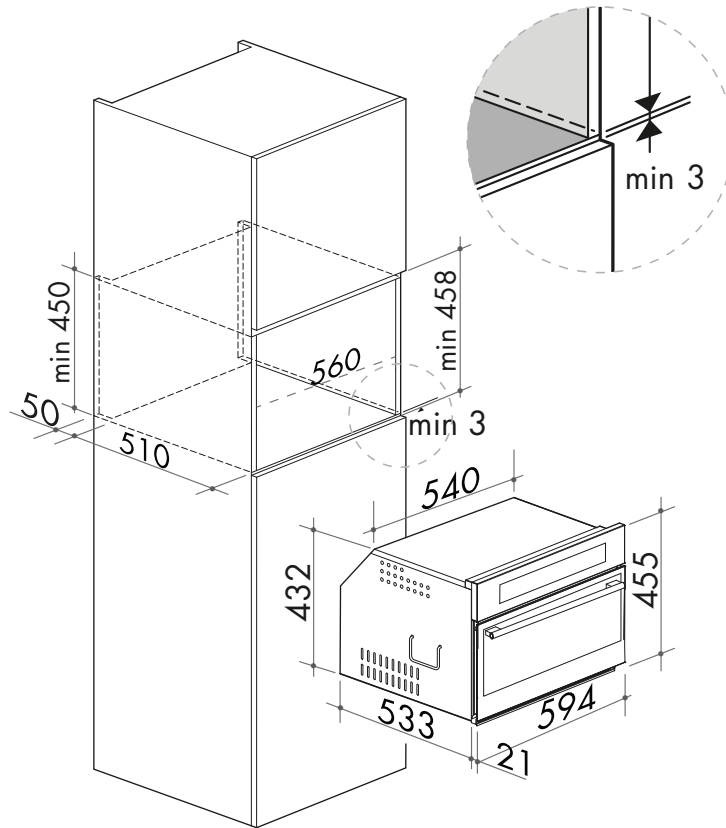
QLD  
1/42 Cavendish Road  
Coorparoo  
F 07 3397 0850

WA & NT  
Unit 10/55 Howe Street  
Osborne Park  
F 08 9201 9188

New Zealand  
PO Box 11,160  
Sockburn Christchurch  
F 03 344 5906

**MODEL** ACM45X

## TECHNICAL DIAGRAM



NB: drawings are not to scale — they are to be used for detailed installation instructions, please refer to user guide.

**EAN 9347777001825**

AR18032022

ACM45X Built-in Combi-Microwave  
15kw  
plug in

### DISCLAIMER

Eurolinx PTY LTD, is continually seeking ways to improve the design specifications, aesthetics and production techniques of its products. As a result alterations to our products and designs take place continually. Whilst every effort is made to produce information and literature that is up to date, this brochure should not be regarded as an infallible guide to the current specifications, nor does it constitute an offer for the sale of any particular product. Product dimensions indicated in our literature is indicative only. Actual product only should be used to define dimension cut outs. Distributors, and retailers are not agents of Eurolinx and are not authorized to bind Eurolinx by any express or implied undertaking or representation.

**FOLLOW US ON:**  [instagram.com/artusi\\_appliances](https://www.instagram.com/artusi_appliances)

 [www.linkedin.com/company/eurolinx-pty-ltd-t-a-lve/](https://www.linkedin.com/company/eurolinx-pty-ltd-t-a-lve/)

Australia National Telephone Number 1300 (694 583) New Zealand Telephone Number 64 3 344 5913  
Artusi showroom hours: Tuesday to Friday - 9am-5pm, Saturday - 10am-4pm, Sunday and Monday - closed  
\* Melbourne showroom hours: Tuesday to Saturday - 10am-4pm

[artusi.com.au](https://www.artusi.com.au)

**NSW & ACT (Head Office)**  
48-50 Moore Street  
Leichhardt  
F 02 8569 4699

**QLD**  
1/42 Cavendish Road  
Coorparoo  
F 07 3397 0850

**WA & NT**  
Unit 10/55 Howe Street  
Osborne Park  
F 08 9201 9188

**New Zealand**  
PO Box 11,160  
Sockburn Christchurch  
F 03 344 5906