

120CM BBQ CANOPY RANGE HOOD



MODEL ACH12BBQ



24 MONTH WARRANTY

120CM

PUSH BUTTON

LED LIGHTS

10AMP POWER CONNECTION

PRODUCT INFORMATION

FINISH

- stainless steel

FEATURES

- full stainless steel construction
- installation kit provided
- 6 x LED lights will perfectly illuminate the cooking area
- wall mount installation
- Speed: Low Middle High
(Boost)
- Noise dBA: 66 68 71
- Max. Airflow m3/h: 685 749 838

FILTERS

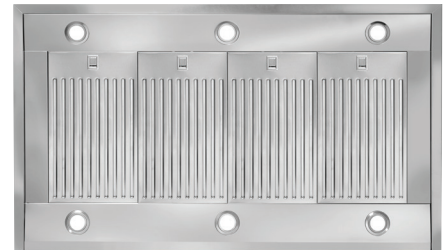
- removable stainless steel baffle filters designed for maximum performance and easy cleaning

MOTOR

- 2 x 1000m³/hr airflow
- dual motors with 3 powerful air extraction speeds
- twin duct outlets (one for each motor) for maximum performance
- motor: 2 x 218W

OPTIONAL EXTRA

- n/a



EAN 9347777001146

AR02052022

DISCLAIMER

Eurolinx PTY LTD, is continually seeking ways to improve the design specifications, aesthetics and production techniques of its products. As a result alterations to our products and designs take place continually. Whilst every effort is made to produce information and literature that is up to date, this brochure should not be regarded as an infallible guide to the current specifications, nor does it constitute an offer for the sale of any particular product. Product dimensions indicated in our literature is indicative only. Actual product only should be used to define dimension cut outs. Distributors, and retailers are not agents of Eurolinx and are not authorized to bind Eurolinx by any express or implied undertaking or representation.

FOLLOW US ON:



instagram.com/artusi_appliances



www.linkedin.com/company/eurolinx-pty-ltd-t-a-llve/

Australia National Telephone Number 1300 (694 583) New Zealand Telephone Number 64 3 344 5913

Artusi showroom hours: Tuesday to Friday - 9am-5pm, Saturday - 10am-4pm, Sunday and Monday - closed

* Melbourne showroom hours: Tuesday to Saturday - 10am-4pm

artusi.com.au

NSW & ACT (Head Office)

48-50 Moore Street
Leichhardt
F 02 8569 4699

QLD

1/42 Cavendish Road
Coorparoo
F 07 3397 0850

WA & NT

Unit 10/55 Howe Street
Osborne Park
F 08 9201 9188

New Zealand

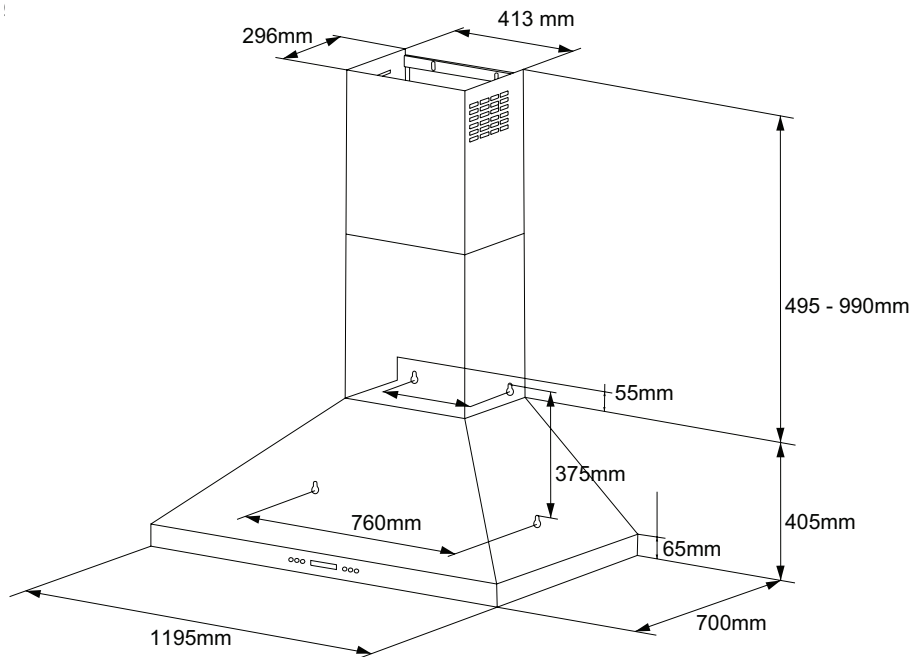
PO Box 11,160
Sockburn Christchurch
F 03 344 5906

120CM BBQ CANOPY RANGE HOOD



MODEL ACH12BBQ

TECHNICAL DIAGRAM



NB: drawings are not to scale — they are to be used for detailed installation instructions, please refer to user guide.

EAN 9347777001146

AR02052022

ACH12BBQ BBQ Canopy Range Hood
240W input power
218W each (2) maximum motor power
Electrical connection: 10AMP GPO

DISCLAIMER

Eurolinx PTY LTD, is continually seeking ways to improve the design specifications, aesthetics and production techniques of its products. As a result alterations to our products and designs take place continually. Whilst every effort is made to produce information and literature that is up to date, this brochure should not be regarded as an infallible guide to the current specifications, nor does it constitute an offer for the sale of any particular product. Product dimensions indicated in our literature is indicative only. Actual product only should be used to define dimension cut outs. Distributors, and retailers are not agents of Eurolinx and are not authorized to bind Eurolinx by any express or implied undertaking or representation.

FOLLOW US ON: [instagram.com/artusi_appliances](https://www.instagram.com/artusi_appliances)

www.linkedin.com/company/eurolinx-pty-ltd-t-a-llve/

Australia National Telephone Number 1300 (694 583) New Zealand Telephone Number 64 3 344 5913
Artusi showroom hours: Tuesday to Friday - 9am-5pm, Saturday - 10am-4pm, Sunday and Monday - closed
* Melbourne showroom hours: Tuesday to Saturday - 10am-4pm

[artusi.com.au](https://www.artusi.com.au)

NSW & ACT (Head Office)
48-50 Moore Street
Leichhardt
F 02 8569 4699

QLD
1/42 Cavendish Road
Coorparoo
F 07 3397 0850

WA & NT
Unit 10/55 Howe Street
Osborne Park
F 08 9201 9188

New Zealand
PO Box 11,160
Sockburn Christchurch
F 03 344 5906