

4.5KG FRONT LOAD DRYER



MODEL ACD45A



PRODUCT INFORMATION

FINISH

- white enamel

FEATURES

- high-speed rotating turbo fan
- PTC heating element (quick dry)
- thermostat: 60°C
- automatic disinfection
- upright floor / upside-down wall mounted
- <6% residual water
- drying time setting: 0–200 minutes
- centrifugal blast type motor
- direct ducting: rear vent for optional fitting of supplied flexible ducting kit
- one-way drum rotation
- easy-to-clean double-layer flint filter
- noise rating: 47 dBA

CAPACITY & INTERIOR

- 4.5kg dry weight capacity
- stainless steel drum
- drum dimensions: Ø560x304mm

POWER

- inner drum speed: 50 rpm
- input power: 800–1400W
- heating power: 700/1300W
- motor output power: 90W

SAFETY

- automatic overheat cut off
- child safety lock
- auto stop when door opened

DRYING CAPACITY	DRYING TIME	
	Regular (minutes)	Airing (minutes)
approx 1kg	approx 30	approx 55
approx 2kg	approx 60	approx 110
approx 3kg	approx 120	
approx 4kg	approx 200	



EAN 9347777000910

AR09042021

DISCLAIMER

Eurolinx PTY LTD, is continually seeking ways to improve the design specifications, aesthetics and production techniques of its products. As a result alterations to our products and designs take place continually. Whilst every effort is made to produce information and literature that is up to date, this brochure should not be regarded as an infallible guide to the current specifications, nor does it constitute an offer for the sale of any particular product. Product dimensions indicated in our literature is indicative only. Actual product only should be used to define dimension cut outs. Distributors, and retailers are not agents of Eurolinx and are not authorized to bind Eurolinx by any express or implied undertaking or representation.

FOLLOW US ON: [instagram.com/artusi_appliances](https://www.instagram.com/artusi_appliances)

www.linkedin.com/company/eurolinx-pty-ltd-t-a-llve/

Australia National Telephone Number 1300 (694 583) New Zealand Telephone Number 64 3 344 5913
Artusi showroom hours: Tuesday to Friday - 9am-5pm, Saturday - 10am-4pm, Sunday and Monday - closed
* Melbourne showroom hours: Tuesday to Saturday - 10am-4pm

[artusi.com.au](https://www.artusi.com.au)

NSW & ACT (Head Office)
48-50 Moore Street
Leichhardt
F 02 8569 4699

VIC & SA
1211 Toorak Road
Camberwell
F 03 9809 2155

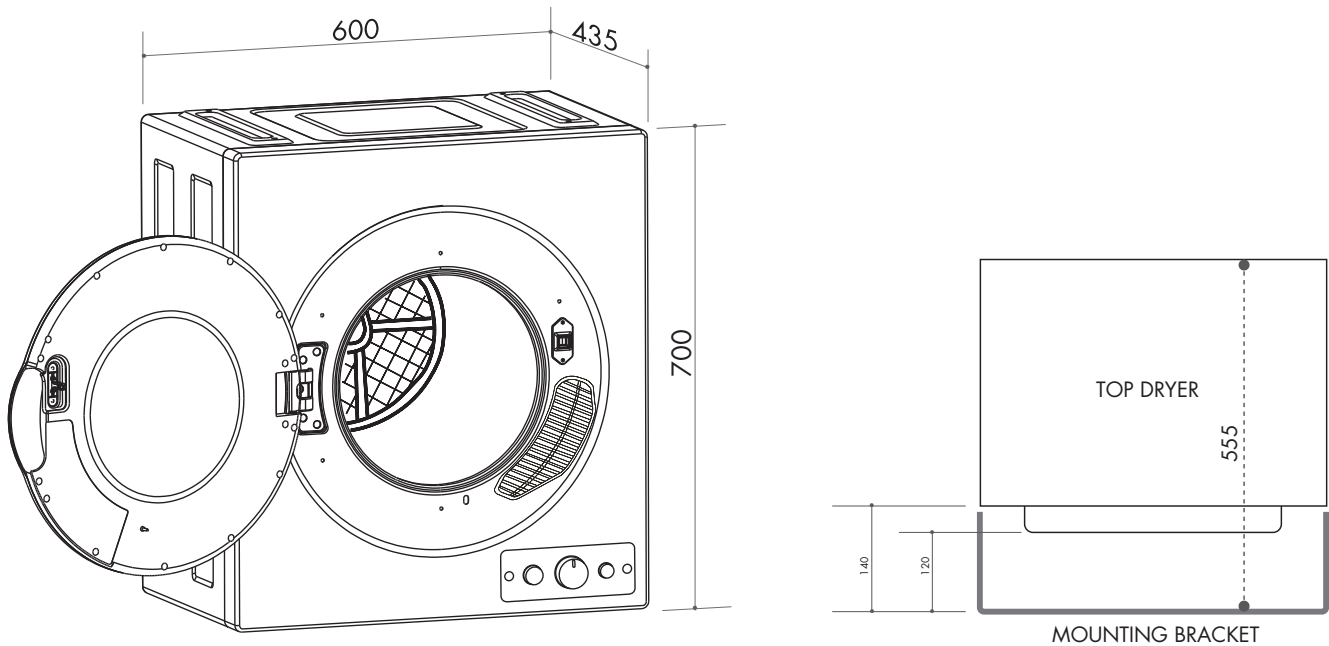
QLD
1/42 Cavendish Road
Coorparoo
F 07 3397 0850

New Zealand
PO Box 11,160
Sockburn Christchurch
F 03 344 5906

4.5KG FRONT LOAD DRYER

MODEL ACD45A

TECHNICAL DIAGRAM



NB: for more detailed information, please refer to the operations manual or contact Artusi

NB: drawings are not to scale — they are to be used for detailed installation instructions, please refer to user guide.

EAN 9347777000910

AR08042021

DISCLAIMER

Eurolinx PTY LTD, is continually seeking ways to improve the design specifications, aesthetics and production techniques of its products. As a result alterations to our products and designs take place continually. Whilst every effort is made to produce information and literature that is up to date, this brochure should not be regarded as an infallible guide to the current specifications, nor does it constitute an offer for the sale of any particular product. Product dimensions indicated in our literature is indicative only. Actual product only should be used to define dimension cut outs. Distributors, and retailers are not agents of Eurolinx and are not authorized to bind Eurolinx by any express or implied undertaking or representation.

ACD45A dryer
600W x 435D x 700H
220–240 V, 50Hz
2.2m power cord with 3-pin 10 AMP plug
net weight: 20kg

FOLLOW US ON:  [instagram.com/artusi_appliances](https://www.instagram.com/artusi_appliances)

 www.linkedin.com/company/eurolinx-pty-ltd-t-a-llve/

Australia National Telephone Number 1300 (694 583) New Zealand Telephone Number 64 3 344 5913
Artusi showroom hours: Tuesday to Friday - 9am-5pm, Saturday - 10am-4pm, Sunday and Monday - closed
*** Melbourne showroom hours:** Tuesday to Saturday - 10am-4pm

[artusi.com.au](https://www.artusi.com.au)

NSW & ACT (Head Office)
48-50 Moore Street
Leichhardt
F 02 8569 4699

VIC & SA
1211 Toorak Road
Camberwell
F 03 9809 2155

QLD
1/42 Cavendish Road
Coorparoo
F 07 3397 0850

New Zealand
PO Box 11.160
Sockburn Christchurch
F 03 344 5906