

104CM BUILT-IN BARBECUE

MODEL ABBQM



MADE
IN ITALY



24 MONTH
WARRANTY



104CM



4
GAS
BURNERS



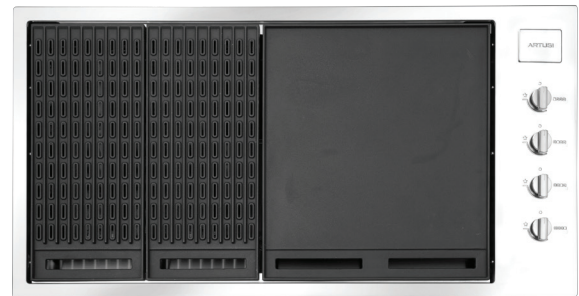
FLAME FAILURE
DEVICE



INTEGRATED
IGNITION



INDOOR/
OUTDOOR



PRODUCT INFORMATION

FINISH

- Meticulous design with seamless finish
- AS316 stainless steel (suitable for outdoor and ocean- front environments)

FEATURES

- Approved for use in enclosed entertaining & dining spaces when installed with the flat BBQ lid
- Automatic Piezo battery ignition with concealed D cell battery compartment
- 1 x removable grease container for oil and residue within the cooking area
- 1 x removable main catcher at the front of the grills with a drain system
- Side control knobs
- Oil/fat reservoir
- Available in natural gas or LPG pre-set

HOTPLATES

- Interchangeable hotplate configuration for different cooking styles
- 2 x solid cast iron removable grill plates
- 1 x cast iron removable flat hotplate
- Hotplate and grills include self locking notches
- Anti-warp engineered hotplate

BURNERS

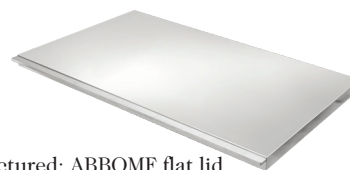
- Stainless steel burners with flame failure
- Total burner power output 14kW (European tested)

AVAILABLE COMPANION PRODUCTS

- ABBQMH - Roasting dome BBQ with thermostat
- ABBQMF - Slimline Flat BBQ lid
- BBQCOVERH - Canvas cover for ABBQMH
- BBQCOVERF - Canvas cover for ABBQMF



Pictured: ABBQMH hooded lid



Pictured: ABBQMF flat lid



ABBQM: EAN 9347777002662

ABBQMF: EAN 9347777002686

ABBQMH: EAN 9347777002679

PAGE 1 OF 2
AR12042022

DISCLAIMER

Eurolinx PTY LTD, is continually seeking ways to improve the design specifications, aesthetics and production techniques of its products. As a result alterations to our products and designs take place continually. Whilst every effort is made to produce information and literature that is up to date, this brochure should not be regarded as an infallible guide to the current specifications, nor does it constitute an offer for the sale of any particular product. Product dimensions indicated in our literature is indicative only. Actual product only should be used to define dimension cut outs. Distributors, and retailers are not agents of Eurolinx and are not authorized to bind Eurolinx by any express or implied undertaking or representation.

FOLLOW US ON: [instagram.com/artusi_appliances](https://www.instagram.com/artusi_appliances)

www.linkedin.com/company/eurolinx-pty-ltd-t-a-llve/

Australia National Telephone Number 1300 (694 583) New Zealand Telephone Number 64 3 344 5913
Artusi showroom hours: Tuesday to Friday - 9am-5pm, Saturday - 10am-4pm, Sunday and Monday - closed
* Melbourne showroom hours: Tuesday to Saturday - 10am-4pm

[artusi.com.au](https://www.artusi.com.au)

NSW & ACT (Head Office)
48-50 Moore Street
Leichhardt
F 02 8569 4699

QLD
1/42 Cavendish Road
Coorparoo
F 07 3397 0850

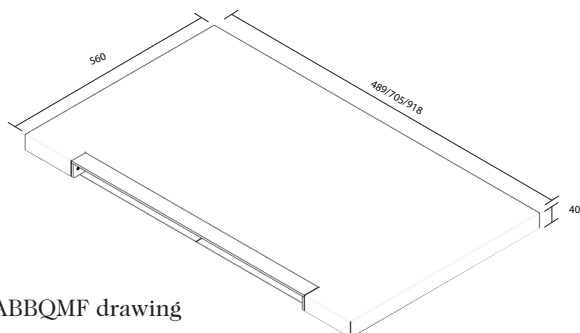
WA & NT
Unit 10/55 Howe Street
Osborne Park
F 08 9201 9188

New Zealand
PO Box 11,160
Sockburn Christchurch
F 03 344 5906

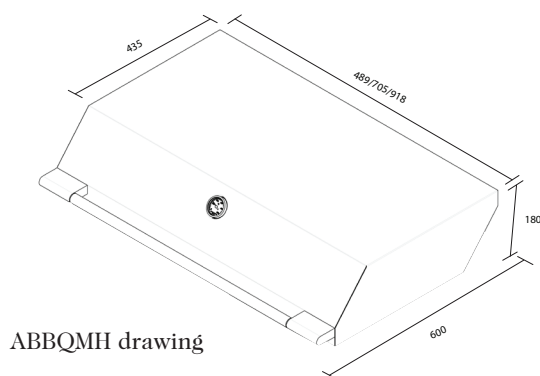
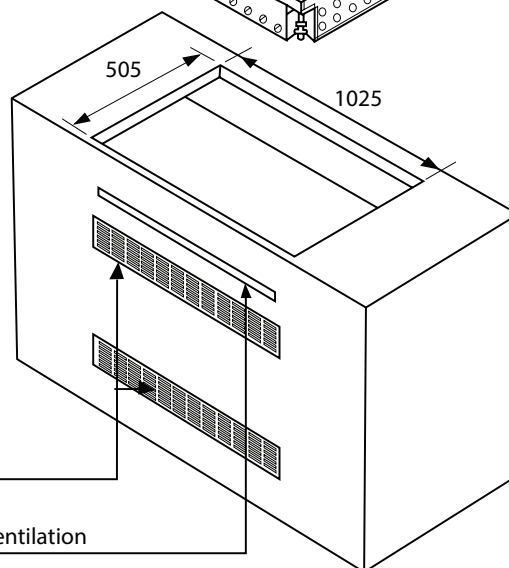
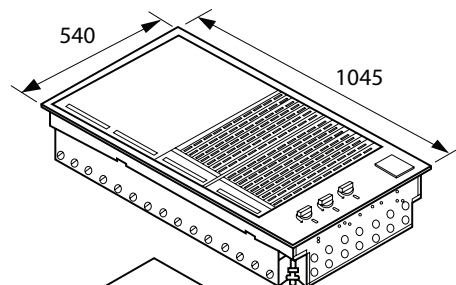
104CM BUILT-IN BARBECUE

MODEL ABBQM

TECHNICAL DIAGRAM



ABBQMF drawing



ABBQMH drawing

*Please note that installation specifications and requirements differ depending on if the unit is installed indoors or outdoors. Please refer to the relevant installation manual for full details

NB: drawings are not to scale — they are to be used for detailed installation instructions, please refer to user guide.

ABBQM: EAN 9347777002662

ABBQMF: EAN 9347777002686

ABBQMH: EAN 9347777002679

AR12042022 PAGE 2 OF 2

DISCLAIMER

Eurolinx PTY LTD, is continually seeking ways to improve the design specifications, aesthetics and production techniques of its products. As a result alterations to our products and designs take place continually. Whilst every effort is made to produce information and literature that is up to date, this brochure should not be regarded as an infallible guide to the current specifications, nor does it constitute an offer for the sale of any particular product. Product dimensions indicated in our literature is indicative only. Actual product only should be used to define dimension cut outs. Distributors, and retailers are not agents of Eurolinx and are not authorized to bind Eurolinx by any express or implied undertaking or representation.

ABBQM Stainless Steel Built-in BBQ
Power Consumption: D Cell Battery
Gas Consumption: 52 mj/h (natural gas)
5/8" connection fitting
hose and regulator assembly included

FOLLOW US ON:  [instagram.com/artusi_appliances](https://www.instagram.com/artusi_appliances)

 www.linkedin.com/company/eurolinx-pty-ltd-t-a-llve/

Australia National Telephone Number 1300 (694 583) New Zealand Telephone Number 64 3 344 5913
Artusi showroom hours: Tuesday to Friday - 9am-5pm, Saturday - 10am-4pm, Sunday and Monday - closed
* Melbourne showroom hours: Tuesday to Saturday - 10am-4pm

[artusi.com.au](https://www.artusi.com.au)

NSW & ACT (Head Office)
48-50 Moore Street
Leichhardt
F 02 8569 4699

QLD
1/42 Cavendish Road
Coorparoo
F 07 3397 0850

WA & NT
Unit 10/55 Howe Street
Osborne Park
F 08 9201 9188

New Zealand
PO Box 11,160
Sockburn Christchurch
F 03 344 5906