

CAFC95X

90cm electric freestanding cooker

CAFC95X
90cm freestanding cooker
electric oven, 5-zone ceramic hob

stainless steel
oven capacity: 104 litres

OVEN

- 9 functions — top and bottom element, defrost, fan assisted, fan forced, fan grill, grill, rotisserie, base heat
- double cavity cooking fan
- 50–250°C thermostat
- digital clock
- triple-glazed glass door
- electric grill + rotisserie
- oven light
- removable oven cavity floor
- 4 cooking levels
- baking tray + 2 wire oven racks
- adjustable legs
- warming compartment

HOB — 5 zones + 2 extension zones

- 1 x 1.0/2.2 kW/hr
- 1 x 1.2 kW/hr
- 2 x 1.8 kW/hr
- 1 x 1.1/2.0 kW/hr
- Ceran glass surface
- easy-clean hob
- residual heat indicator
- stainless steel trim

grill heat power 2.0 kW
total main power: 11.94 kW

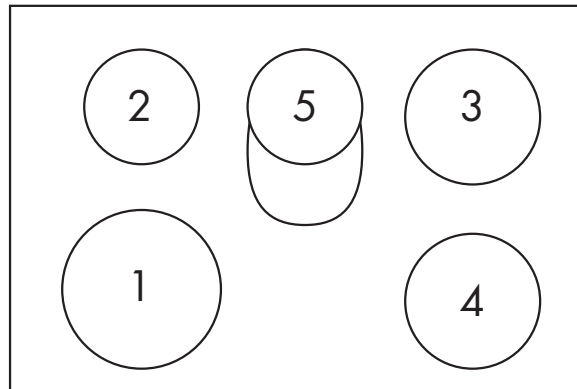
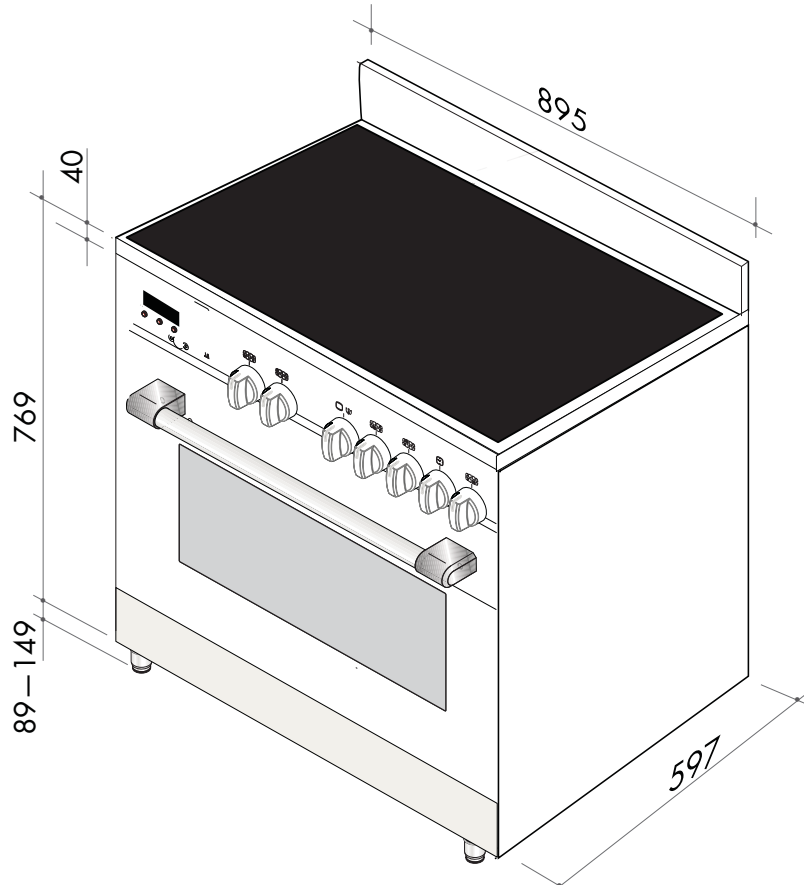


EAN 9347777001290

DISCLAIMER

Eurolinx PTY LTD is continually seeking ways to improve the design specifications, aesthetics and production techniques of its products. As a result alterations to our products and designs take place continually. Whilst every effort is made to produce information and literature that is up to date, this brochure should not be regarded as an infallible guide to the current specifications, nor does it constitute an offer for the sale of any particular product. Product dimensions indicated in our literature is indicative only. Actual product only should be used to define dimension cutouts. Distributors, and retailers are not agents of Eurolinx and are not authorized to bind Eurolinx by any express or implied undertaking or representation.

AR110817



- 1. 1.0/2.2 kW
- 2. 1.2 kW
- 3. 1.8kW
- 4. 1.8 kW
- 5. 1.1/2.0 kW

NB: drawings are not to scale — they are to be used . For detailed installation instructions, please refer to user guide.