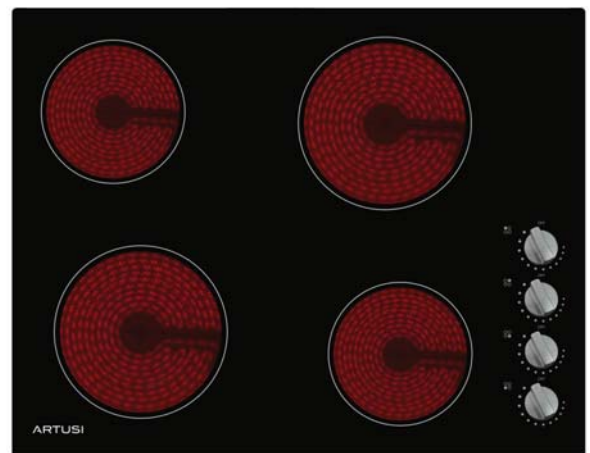


CACC704

70cm ceramic electric cooktop with knob control



| | | |
|--------------------|--|---------------|
| SIZE mm | 700W x 520D x 55mmH CUTOUT: 560W x 490D | |
| FINISH | black ceramic glass | |
| RATED POWER | position | zone |
| | front left: | 1800W 200mm |
| | rear left: | 1200W 165mm |
| | front right: | 1200W 165mm |
| | rear right: | 1000W 200mm |
| | TOTAL: | 6.4 kW/hr |



- FEATURES**
- 4 heat zones
 - residual heat indicators
 - easy-clean surface
 - knob control
 - child safety lock
 - 9 heat levels per zone
 - automatic safety cutoff
 - low profile

POWER hard wired
220-240V, 50/60Hz

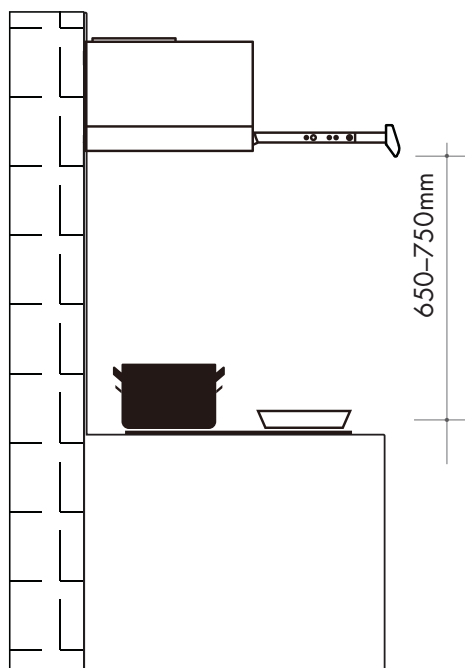
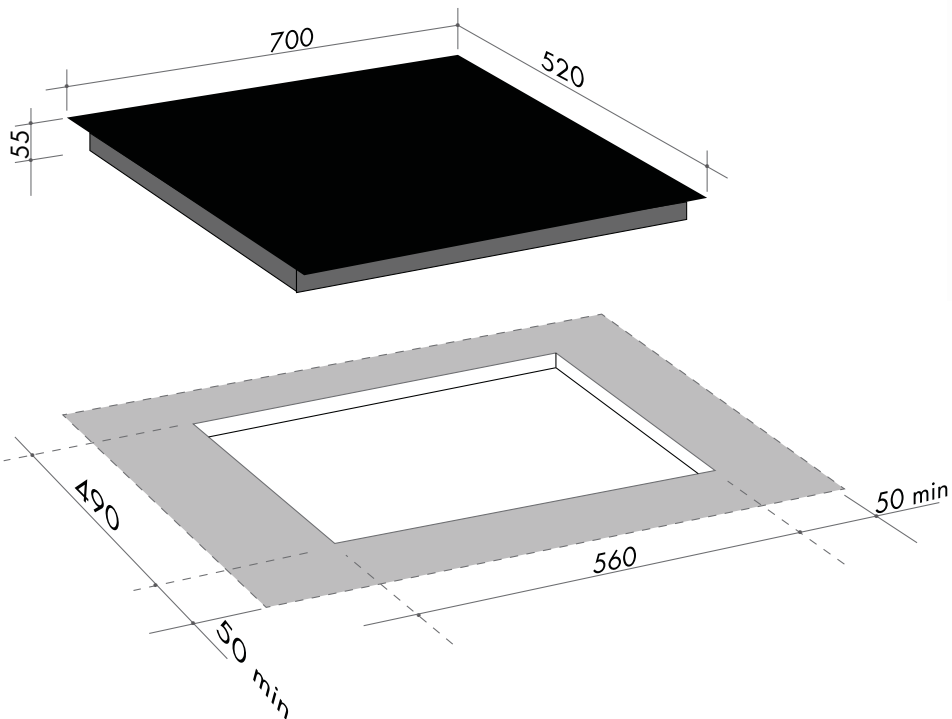


EAN 9347777001030

DISCLAIMER

Eurolinx PTY LTD is continually seeking ways to improve the design specifications, aesthetics and production techniques of its products. As a result alterations to our products and designs take place continually. Whilst every effort is made to produce information and literature that is up to date, this brochure should not be regarded as an infallible guide to the current specifications, nor does it constitute an offer for the sale of any particular product. Product dimensions indicated in our literature is indicative only. Actual product only should be used to define dimension cutouts. Distributors, and retailers are not agents of Eurolinx and are not authorized to bind Eurolinx by any express or implied undertaking or representation.

AR160217



NB: drawings are not to scale — they are to be used as a guide only. For detailed installation instructions, please refer to user guide.

Australia National Telephone Number 1300 694 583 New Zealand Telephone Number 0508 458 369
 ARTUSI showrooms are open Tuesday to Friday from 9am-5pm and Saturdays 10am-4pm

artusi.com.au

NSW & ACT
(head office)

48 Moore Street
 Leichhardt
 02 8569 4699

VIC | SA

1211 Toorak Road
 CAMBERWELL
 03 9809 2155

TASMANIA

3 Pear Avenue
 DERWENT PARK 7009
 03 6272 7386

QLD

1/42 Cavendish Road
 COORPAROO
 07 3397 0850

WA | NT

10/55 Howe Street
 OSBORNE PARK
 08 9201 9188

New Zealand

PO Box 11.160
 Sockburn Christchurch
 03 344 5913